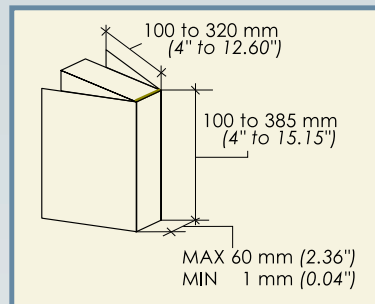
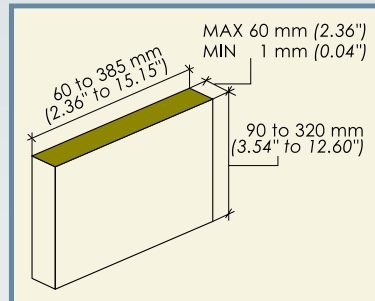


**BOOK SIZE**

**PERFECT BINDING MODE**



**PADDING MODE**



**COVER SIZE**

MAX 710 mm x 395 mm (28" x 15.6")  
MIN 200 mm X 100 mm (8" X 4")

**COVER WEIGHT**

80-300 gsm  
20 lb Bond - 110 lb Index

**COVER PILE HEIGHT**

80 mm - 3.15"

**TEMPERATURE**

MAX GLUING TEMPERATURE 165°C (329°F)  
MIN GLUING TEMPERATURE 140°C (289°F)  
SENSITIVITY +/- 2° (35.6°F)

**BBR STACKING CAPACITY**

680 mm - 26.4"  
Reception size  
MAX 385 mm x 320 mm (15.15" x 12.6")  
MIN 100 mm x 100 mm (3.9" x 3.9")

**MAX. CYCLES / HR**

Up to 600 books  
(operator dependent and based on A4 size  
or 8.5"x11" / 1 cm or 3/8" books)

**ELECTRICAL RATINGS**

**POWER REQUIRED**

- 208/220 V, 60Hz, 3 phases delta, 12 A
- 220/230 or 240 V, 50 Hz, 3 phases delta, 12 A
- 380/400 or 415V, 50 Hz, 3 phases star, no neutral needed, 12 A

**POWER CONSUMPTION** 4 Kw

**NOISE LEVEL**

76 dB (A) at operator position

**RADIANT HEAT**

13648 BTU/h

Production rates subject to environmental conditions, operator ability and quality of stock.  
As a consequence of our policy of continuous improvement, specifications are subject to change without notice.  
Bourg is a registered trademark of C.P. Bourg, Inc. and C.P. Bourg S.A. Patents pending.

9133621 ind - April 2004



www.cpbourg.com

Bourg is a registered trademark of C.P. Bourg, Inc. and C.P. Bourg S.A. Patents pending.

**C.P. Bourg S.A. N.V.**

rue des Technologies 22  
B-1340 Ottignies - Belgium  
Tel. : +32 10 62 22 11  
Export fax : +32 10 61 63 55  
Email : contactus@cpbourg.com  
export.be@cpbourg.com

**C.P. Bourg Inc**

50 Samuel Barnet Blvd.  
New Bedford, MA 02745  
USA  
Tel. : +1 508 998 2171  
Fax : +1 508 998 2391  
cpb\_usa@cpbourg.com

**C.P. Bourg S.A.**

Parc d'Affaire Silic  
32, rue des Gémeaux - BP 60410  
94573 Rungis - France  
Tel. : +33 1 46 87 32 14  
Fax : +33 1 46 87 52 17  
Courriel: cpb\_france@cpbourg.com

**C.P. Bourg GmbH**

Schweizerstrasse 70/1  
D-72336 Balingen  
Germany  
Tel. : +49 7433 9981 680  
Fax : +49 7433 9981 686  
cpb\_germany@cpbourg.com

**C.P. Bourg S.A.**

14 rue Millewee, B.P. 85  
L-7201 Walferdange  
Luxembourg  
Tel. : +352 33 24 47  
Fax : +352 33 19 99  
cpb\_luxembourg@cpbourg.com

**BB<sub>3002</sub>**

Bourg Binder 3002

**BOURG BINDING SYSTEM**





**JUST GET THE BOOK BLOCK IN**

The first book is good, because the BB3002 is a truly full automated perfect binder.

**NO TOOLS, NO KNOBS**

The user friendly colour touch screen does it all!

The only knobs in the machine control non-process functions.

This results in increased productivity.

**FULL AUTOMATION**

Books of same size but different thickness can be processed without any manual correction to the settings thanks to the fully automatic thickness detection.

**ALL FUNCTIONS AT A GLANCE**

The ergonomic design allows the operator to work seated on a high stool while the easy-to-understand colour touch screen gives him at a glance a completely toolless control on the whole binding process.

**3-CYLINDERS GLUE TANK**

3 cylinders ensure that an adequate quantity of glue is always applied .

**SIDE GLUING AND SCORING**

Side gluing and on-line scoring of up to 6 positive or negative scores offer superior scoring possibility and allow production of winged books.

**LARGE CAPACITY RECEIVING CONVEYOR**

Book reception at the end of the process is performed with a continuous spine down BBR conveyor enabling unload while running.

**HIGH PRODUCTIVITY**

The highly productive Bourg Binder BB3002 can process up to 600 cycles per hour !

**BOURG BINDER BB3002**

Truly full automated single clamp perfect binder



**FEATURES →**

■ **Controls**

A powerful color touch-sensitive screen allows a single operator to visualize and control the whole binding process via easy to understand icons.

■ **Jogging Area**

Manual pre-jogging space in loading area.

According to quality of paper stock, jogging force can be adjusted by the operator.

The bundle bottom follower ensures that the book block is perfectly gathered.

■ **Carriage**

Adjustable carriage opening (after first booklet).

A footswitch allows the operator to pre-set the carriage opening,

before starting to prevent light papers from collapsing into the carriage during jogging.

■ **Milling Station**

Sturdy milling tool.

Milling depth can be adjusted by steps of 0.5 mm from 0 to 3 mm.

2 notching tools standard.

2 more optional.

Automatic indexation of notching tools when padding mode is selected.

■ **Paper dust collector**

The BB3002 is fitted standard with an external large capacity paper dust extractor.

When a jam in the milling box is detected, a message appears on the touch screen.

If the internal paper dust extractor option is chosen, a message on the interface indicates when it is full. It can then be unloaded from the operator side.

■ **Glue Tank**

3 gluing cylinders offer pre-coating, coating and surplus glue elimination by spinner (scraper and glue threads elimination).

Glue film interruption can be controlled on rollers 1 & 2.

2 rollers for side gluing with glue film interruption selection via touch screen.

Low and full level indicator.

Easy draining.

■ **Suction Cover Feeder**

Capacity: 80 mm (3.15").

Suction level automatically adjusted.

Automatic adjustment of cover position according to book size.

Cover squaring adjustment.

Nearly empty signal.

■ **Scoring**

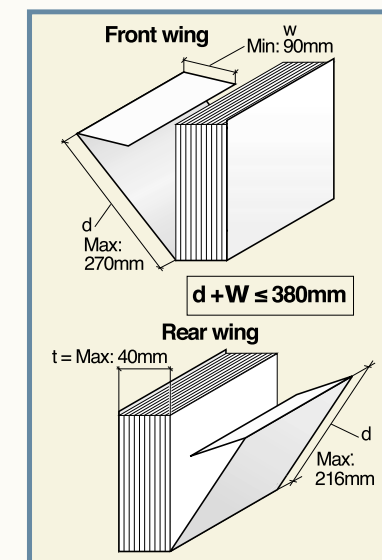
On-line scoring (one blade produces up to 6 positive or negative scores) is automatically set according to book thickness.

Distance between hinge and spine can be modified via the tactile interface.

Ideal for the production of winged books.

■ **Winged books**

Front and/or rear wing



■ **Clamping**

Automated symmetric jaw setting. Lateral pressure, spine position and timing can be modified via touch screen.

Cover miss detection.

■ **Options**

Internal paper dust extractor.

Additional notching tools.

Fume extraction filter.

BBR

